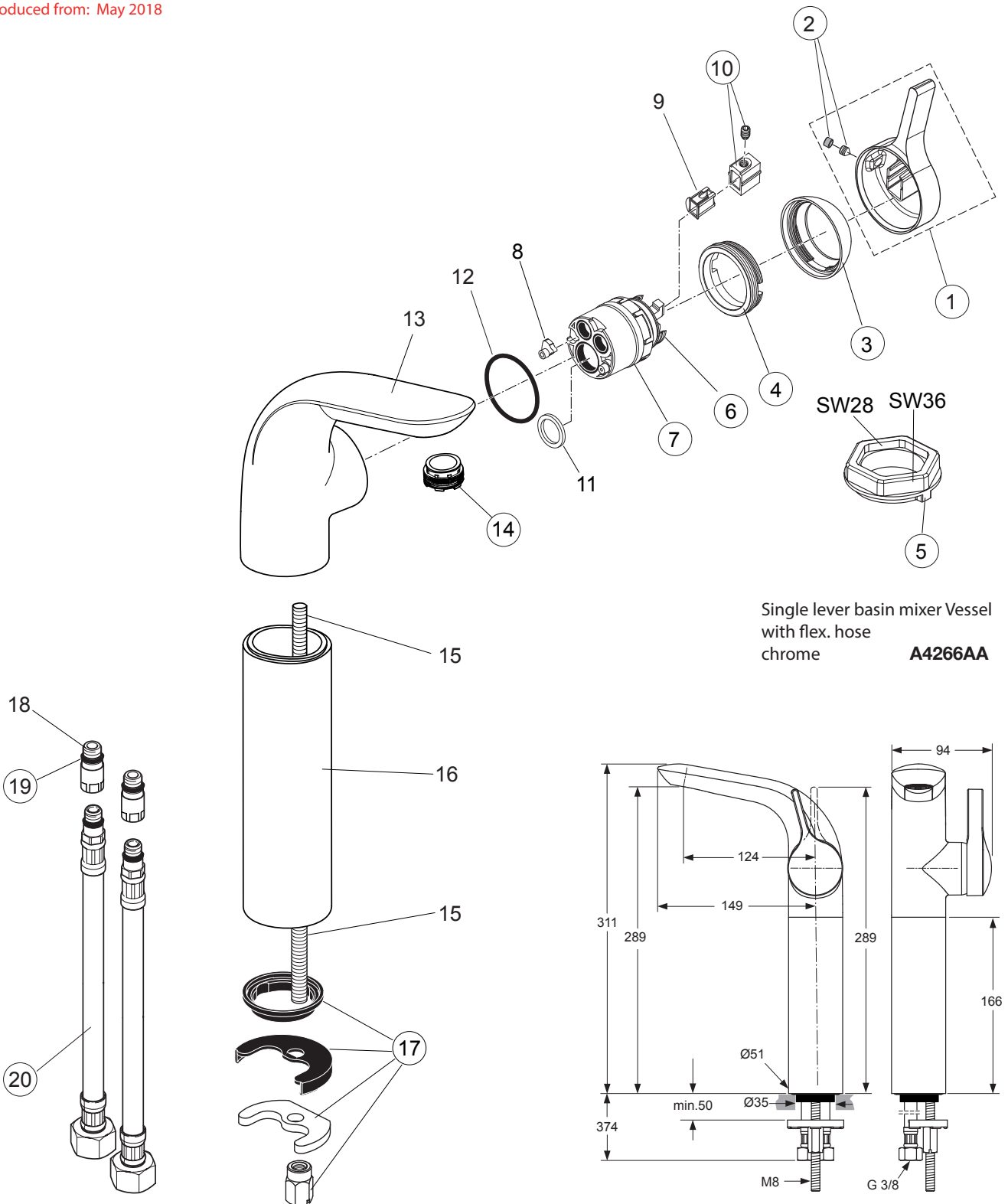


Produced from: May 2018

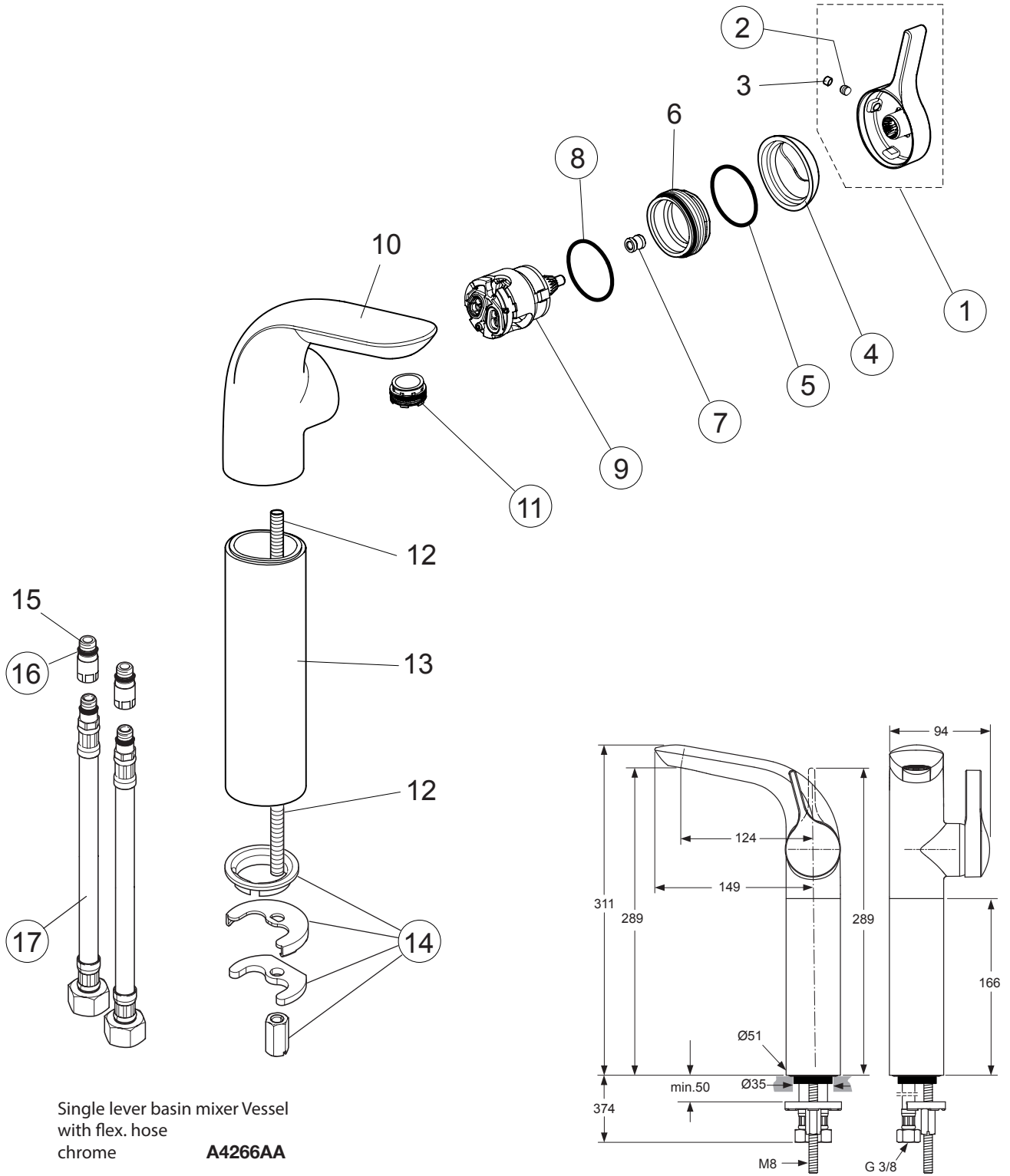


Single lever basin mixer Vessel with flex. hose chrome **A4266AA**

Pos.	Description	Part-Number	Qty.	Pos.	Description	Part-Number	Qty.
1	Lever cpl. with Logo ISI	A 861 316 AA	1 Set	13	Body		
2	Thread pin M5x6 + Cap	A 962 041 NU*	1 Set	14	Aerator M24x1	A 962 058 NU	1 pcs
3	Cover cap	B 961 373 AA	1 pcs		Aerator key for Pos. 14	A 960 196 NU	1 pcs
4	Thread ring M36x1 + Key	B 961 374 NU	1 pcs	15	Stud M8 x 270		
5	Key for pos. 4	B 960 650 NU	1 pcs	16	Extension Ø51		
6	Hot limit stop	A 861 181 NU	1 pcs	17	Fixation-set	A 960 001 NU	1 pcs
7	Cartridge Ø38 + Pos. 5 + 8	A 861 156 NU*	1 Set	18	Nipple M12x1 A / M10x1 I	A 963 395 NU	2 pcs
8	Pin (contained in Pos. 7)			19	O - Ring Ø 9,25 x 1,78	A 963 685 NU	1 pcs
9	Insert (contained in Pos. 7)			20	Flex. hose M10x1 / G3/8	A 962 276 NU	1 pcs
10	Handle adapter + thread pin	A 861 317 NU	1 Set		Flex. hose M12x1 / G3/8	A 962 276 NU	1 pcs
11	Support ring						
12	O - ring Ø 38 x 2.5 (contained in Pos. 7)						

*Universal set (not all parts needed)

Produced from: Jan. 2008 - April 2018



Single lever basin mixer Vessel
with flex. hose
chrome **A4266AA**

Pos.	Description	Part-Number	Qty.	Pos.	Description	Part-Number	Qty.
1	Lever cpl. with Logo IS	A 962 068 AA	1 pcs	11	Aerator M24x1	A 962 058 NU	1 pcs
2	Thread pin M5x6 DIN914	A 963 667 NU	1 pcs		Aerator key for Pos. 11	A 960 196 NU	1 pcs
3	Cover shield	A 963 751 NU	1 pcs	12	Stud M8 x 270		
4	Cartr. Cover (Cap)	A 961 485 AA	1 pcs	13	Extension Ø51		
5	O - Ring Ø 28,3 x 1,78	A 961 667 NU	2 pcs	14	Fixation-set	A 960 001 NU	1 pcs
6	Clamping nut M43 x 1,5			15	Nipple M12x1 A / M10x1 I		
7	Nut f. handle adaption	A 963 372 NU	1 pcs	16	O - Ring Ø 9,25 x 1,78	A 963 395 NU	2 pcs
8	O - Ring Ø 35 x 3,2	A 962 715 NU	1 pcs	17	Flex. hose M10x1 / G3/8	A 963 685 NU	1 pcs
9	Cartridge Multiport cpl.	A 962 985 NU	1 pcs		Flex. hose M12x1 / G3/8	A 962 276 NU	1 pcs
10	Body						